

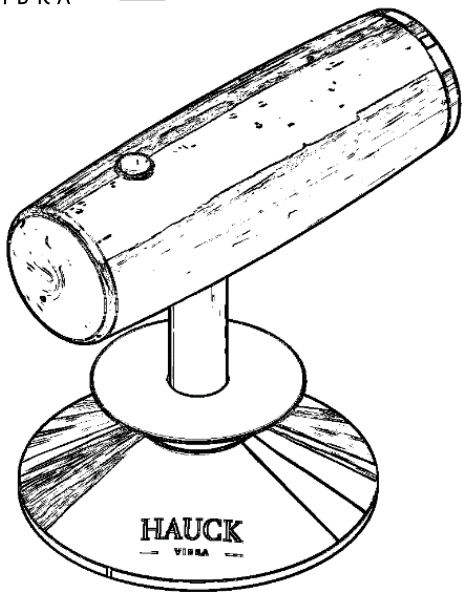
HAUCK

— VIBRA —

Instruction Manual



CE



Instruction Manual

Thank you for choosing our product. We hope you enjoy using the device.

Safety Instructions

Read the operating instructions very carefully before using this device and keep the receipt as well the packaging in a safe place. If you pass on the device to a third party, also hand over the instruction manual.

- Do not drop the device. This could damage the sensitive electronics.
- Do not use a damaged device.
- Do not repair the device yourself, instead consult an authorized specialist.
- Only use the device for its intended purpose.
- Protect the device from direct sunlight, high temperatures, moisture and dust.

Children

For the safety of your children, do not leave any packaging (plastic bags, cartons, etc.) within reach.

WARNING:

Do not allow children to play with foils. There is a risk of **suffocation!**

Children should be watched to ensure that they do not play with the device.

Inserting Batteries

Dealing with batteries

WARNING:

- Do not expose batteries to high temperatures or direct sunlight.
- Never throw batteries into fire. There is a **risk of explosion!**
- Keep batteries away from children. Batteries are no toys.
- Batteries could be swallowed, potentially causing death. If a battery has been swallowed, medical assistance must be sought immediately.
- Do not open batteries by force.
- Avoid contact with metal objects (rings, nails, bolts, etc.). There is a risk of short circuit!
- A short circuit can heat up batteries or even cause them to ignite. This could result in burns.
- For your safety, the battery must be removed during transportation.
- If a battery leaks, do not rub the liquid into your eyes or mucous membranes. In case of contact, wash your hands, rinse your eyes with clean water and consult a doctor if symptoms persist.

Caution:

Batteries should not be thrown away with household waste. Return used batteries to the appropriate collection points or to your retailer.

Please note:

- The battery is supplied half-charged for safe transportation. Before the first use, the battery must be fully charged using a suitable charger.

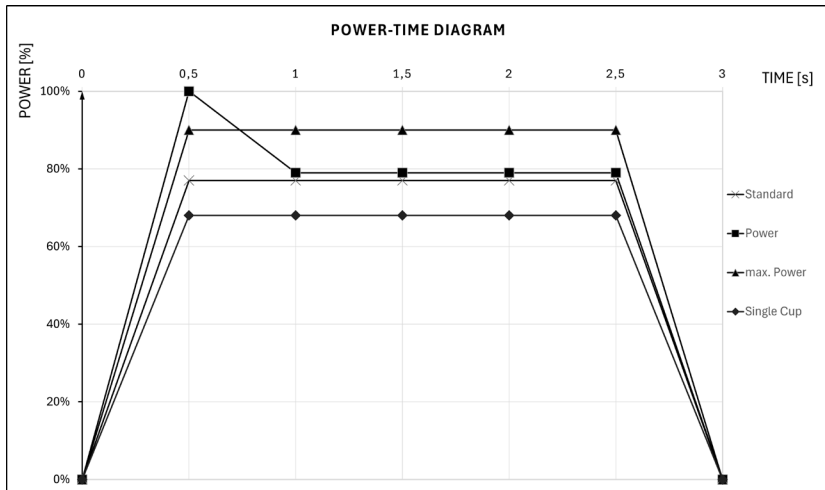
- The battery compartment is located in the handgrip. To insert the battery, please unscrew the cap (turn to the left). The negative pole should point towards the cap. Once the cap has been **hand-tightened**, the device is ready for use.

How to use

The Hauck VIBRA was developed to spread and compress the coffee powder in a portafilter.

Program selection

There are four programs to choose from. Each program can be programmed freely within three seconds.



For programming, proceed as follows:

1. Press and hold the push button for one second.
2. Press the push button for the desired program:
 - a. *1 time for Standard*
 - b. *2 times for Power*
 - c. *3 times for max. Power*
 - d. *4 times for Single Cup*

3. The Hauck VIBRA will now vibrate 1, 2, 3 or 4 times depending on the selected program.
4. You can then select the time by holding the push button for the desired duration. If the push button is not pressed within the three seconds, two seconds are automatically selected.
5. To complete the menu option, the Hauck VIBRA now vibrates.
6. The device is now ready for use with the program you have selected.

Please note:

The device is supplied with program 1 “Standard” with a runtime of two seconds. **The device must be reprogrammed after every battery change.**

Operation

1. Hold the device securely in your hand.
2. Place the Hauck VIBRA on your portafilter.
3. Press the push button. Hold the device firmly so that it cannot fall down.
4. If desired, you can apply a little pressure against the portafilter.
5. Put the device down securely at the end of the program.

Please note:



Explanation

Turning it off

The device does not need to be switched on or off. As soon as the battery has been inserted and the cover fitted, the device is ready for use.

Times without use

Batteries can leak and lose battery acid. If the device is not used for a longer period of time, remove the battery.

Cleaning and maintenance

Caution:

- Do not immerse the device in water as this could destroy the electronics.
- Do not use a wire brush or other abrasive objects.
- Do not use harsh or abrasive cleaning products.
- The device is not dishwasher safe.
- Clean the device with a dry, **not** wet or damp, cloth. Make sure that no moisture or liquid gets inside the device!
- If necessary or at least every 2 months, silicone grease (no more than one drop) can be applied to the axle.

Storage

Store the device in a clean, dry place protected from the sun.

Technical data

Model.....Hauck VIBRA-V1

Voltage supply.....1 rechargeable battery 3.6 V, type RCR123a

Max. Weight load.....	1 kg (2.2 lb)
Net weight.....	approx. 0.68 kg
Ambient temperature.....	0 to 50°C or (32°F to 122°F)
Humidity.....	< 80% r.H.

Technical and design changes in the course of continuous product development reserved.

Scope of delivery

- Hauck VIBRA
- 1 rechargeable battery 3.6 V, type RCR123a
- Instruction manual

Charger 5V USB-C is not included in the scope of delivery.

Optional delivery accessories

- 54.00mm - Base incl. support ring
- 54.45mm - Base incl. support ring
- 58.00mm - Base incl. support ring
- 58.45mm - Base incl. support ring

Note on conformity with the directives

The manufacturer hereby declares that the VIBRO X device is in compliance with the following requirements:

- EU Electromagnetic Compatibility Directive EN55014-1:2017 + A11:2020 and EN55014-2:1997 + A1:2001 + A2:2008

Warranty

Warranty conditions

1. We grant consumers a warranty of 24 months from the date of purchase for private use of the device. If the device is intended for commercial use, we grant a warranty of 6 months for the device when purchased by companies. The warranty period for consumers is reduced to 6 months if they use the device - even partially - for commercial purposes.
2. Defects must be reported to us in written form within 14 days of becoming apparent. If a warranty is justified, we will decide how the damage/defect is to be corrected, whether by repair or by replacement with an equivalent device.
3. Warranties are not provided for defects that are due to non-compliance with the instructions for use, improper handling or normal wear and tear of the device. Warranty claims are also excluded for easily breakable parts, such as wood or plastic. Finally, warranty claims are excluded if work is carried out on the device by parties not authorized by us.

Status 09 2024

Warranty processing

If your device shows a defect within the warranty period, you have the fastest and most convenient option of registering a complaint via our service portal:

<https://hauck-vibra.com>

You will then receive further information on how to process your claim.

Please do not forget to enclose a copy of your proof of purchase (receipt, invoice, delivery bill) with the device as proof of warranty, otherwise we will not be able to provide a free service.

Our service portal <https://hauck-vibra.com> offers you further support:

- Download area for instruction manuals
- FAQs that offer problem solutions
- Contact form
- Access to our accessories and replacement parts web shops

We are there for you even after the warranty period! – Cost-effective repairs at a fixed price!

Please do not send your device carriage forward under any circumstances. We do not accept carriage forward deliveries. This will result in significant costs for you.

Status 09 2024

Disposal

Battery disposal

As a consumer, you are legally obliged to return used batteries.

Caution:



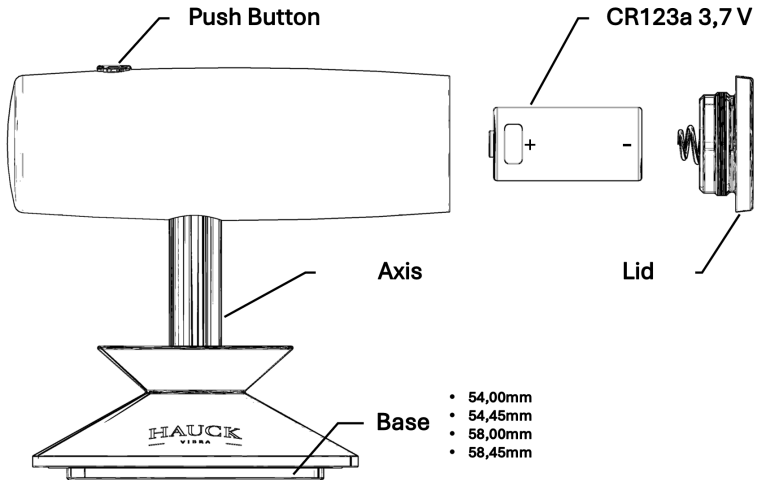
Batteries must not be disposed with household waste!
Remove the battery from the device.
Hand over used batteries to the appropriate collection points or the retailer.

Information on public collection points can be obtained from your town or municipality.

Meaning of the symbol “dustbin“



Protect our environment, electronic devices do not belong in household waste. Use the collection points provided for the disposal of electrical devices and hand in your electrical devices that are no longer in use. In this way, you help to avoid the potential impact on the environment and human health caused by incorrect disposal. This is your contribution to the reuse, recycling and other forms of utilization of old electric and electronic devices. Information on where to dispose of the devices can be obtained from your local authority or municipal administration.



Facebook



Instagram



how it works



Hauck Vibra